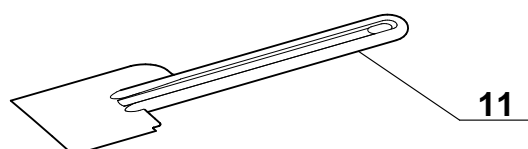
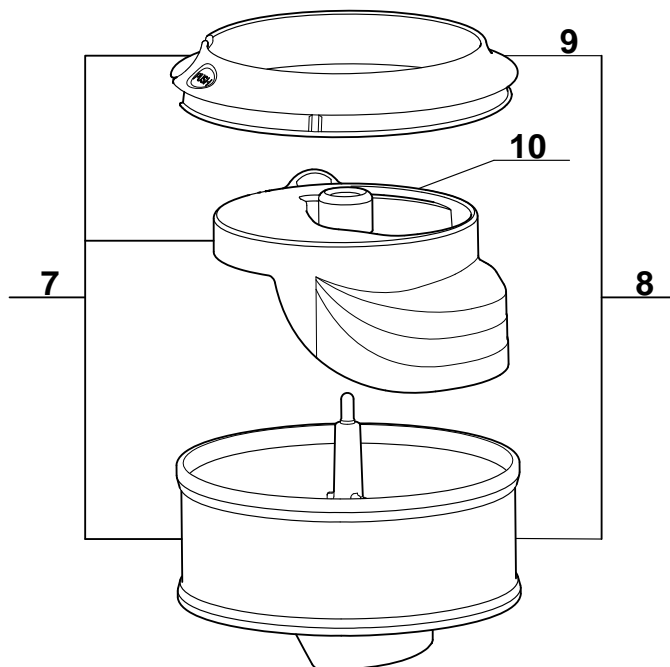
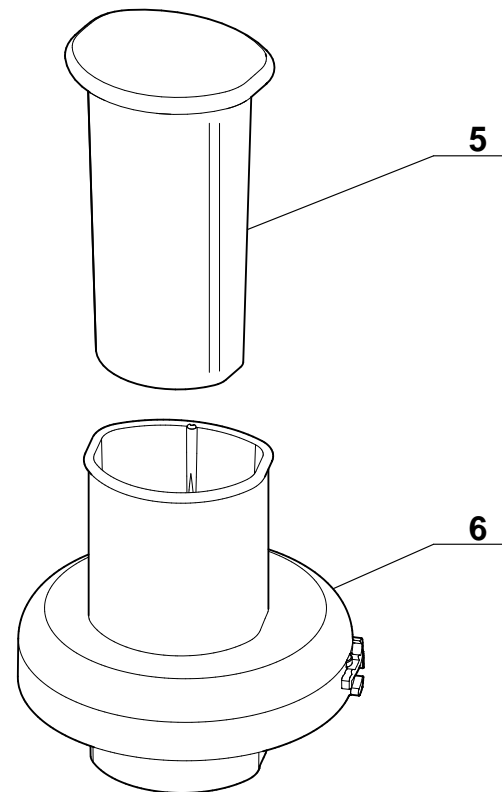
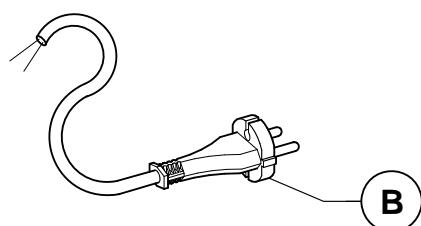
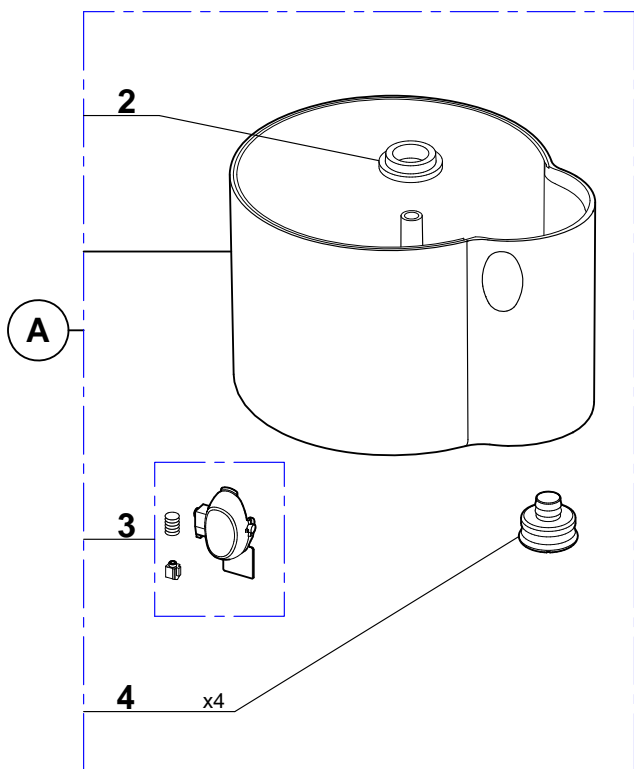
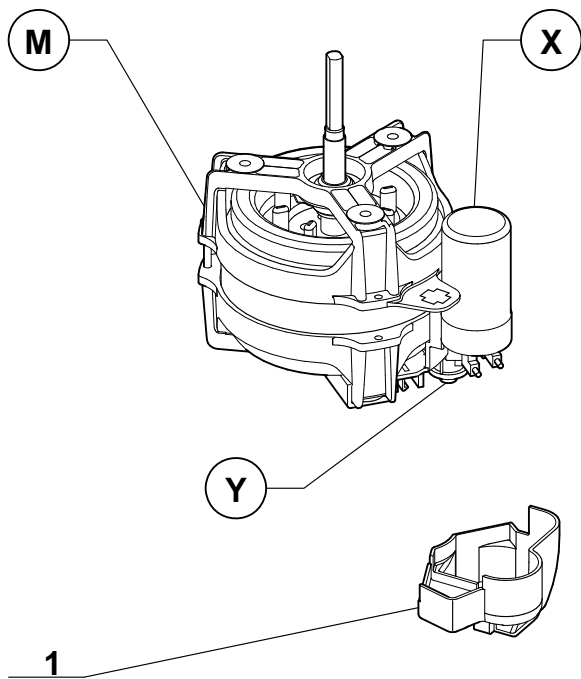


# JUICE EXPERT 5

## FRANCE

18 093 F : Chrome Mat/Noir

# JUICE EXPERT 5



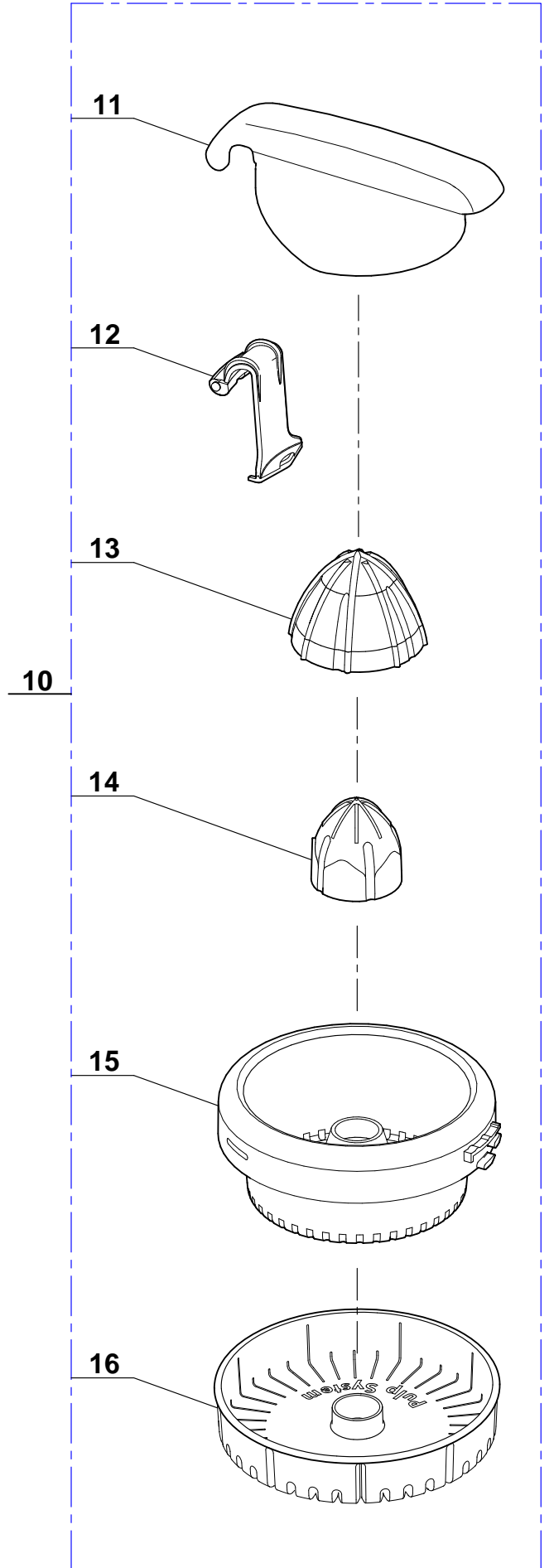
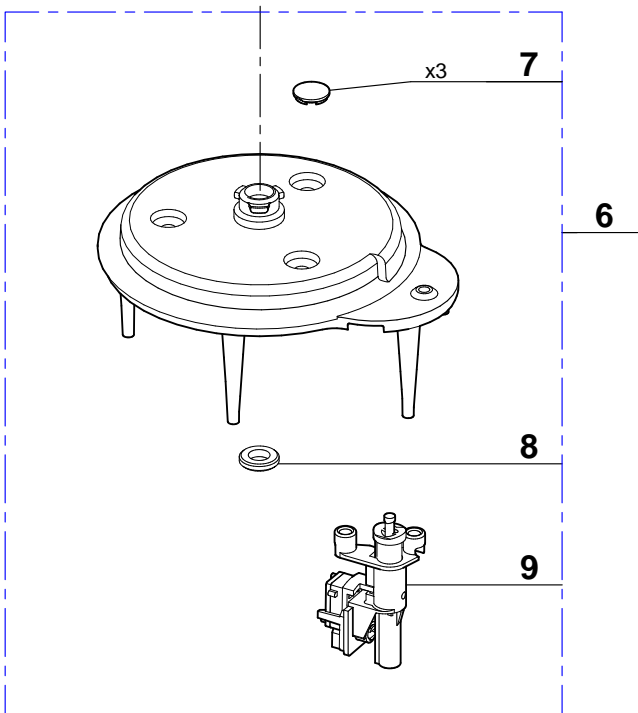
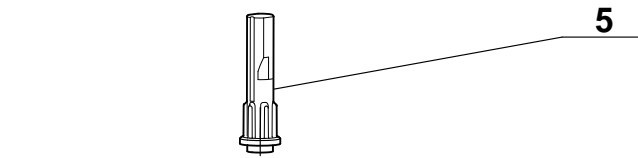
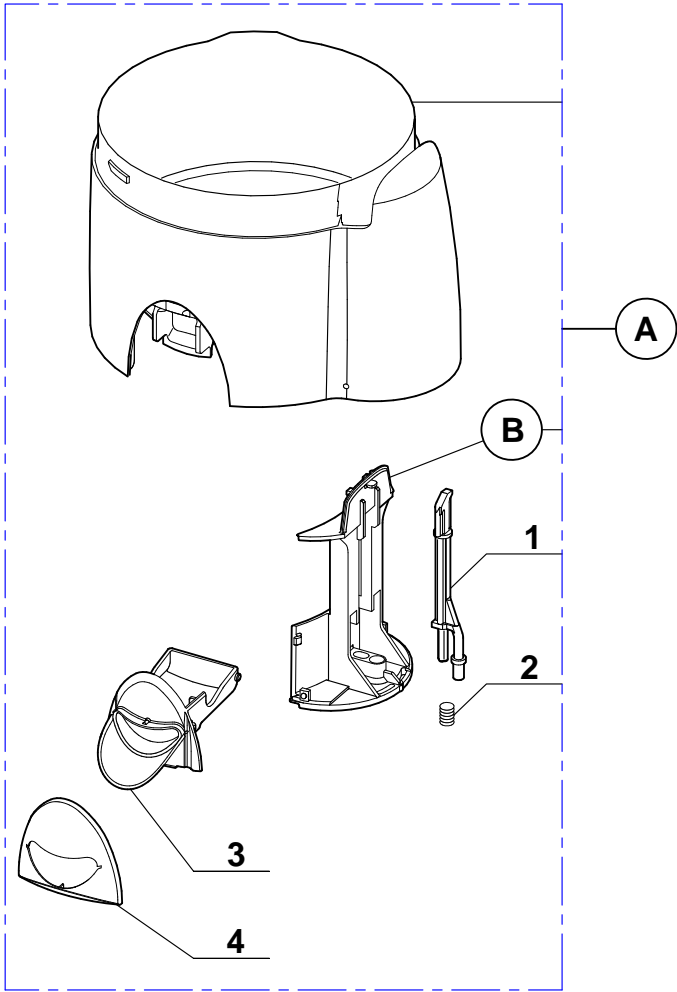
# JUICE EXPERT 5

<i>Index</i>	<i>Pièce / Part</i>	<i>Désignation</i>	<i>Description</i>
1	<b>106 184S</b>	CACHE CONDENSEUR	HIDE CONDENSATOR
2	<b>101 509S</b>	RONDELLE DE CALAGE	WEDGING WASHER
3	<b>101 778S</b>	TOUCHE MARCHE/ARRET	ON/OFF SWITCH
4	<b>101 939S</b>	PIEDS NOIRS x4	BLACK FEET x4
5	<b>100 016</b>	POUSSOIR DUO XL	DUO XL PUSHER
6	<b>17 432</b>	COUVERCLE DUO XL	DUO XL LID
7	<b>101 469</b>	PANIER CENTRI COMPLET	COMPLETE JUICE EXTRACTOR BASKET
8	<b>100 416</b>	PANIER DE CENTRIFUGEUSE	JUICE EXTRACTOR BASKET
9	<b>107 663</b>	COLLERETTE DEMONTABLE	ROMOVABLE COLAR
10	<b>101 477S</b>	OUTIL PRESSEUR	PRESS TOOL
11	<b>100 098S</b>	SPATULE	SPATULE

<i>Index</i>	<i>Désignation</i>	<i>Description</i>
<b>A</b>	SOCLE	BASE
<b>B</b>	CABLE D'ALIMENTATION	POWER CORD
<b>M</b>	MOTEUR	MOTOR
<b>X</b>	CONDENSATEUR	CONDENSATOR
<b>Y</b>	RELAIS	RELAY

<b>Machine</b>	<b>Voltage</b>	<b>A</b>	<b>B</b>	<b>M</b>	<b>X</b>	<b>Y</b>
<b>FRANCE</b>						
<b>18 093 F</b>	<b>230/50</b>	<b>101 640S</b>	<b>504 583</b>	<b>3 159</b>	<b>603 614S</b>	<b>500 256S</b>

# JUICE EXPERT 5



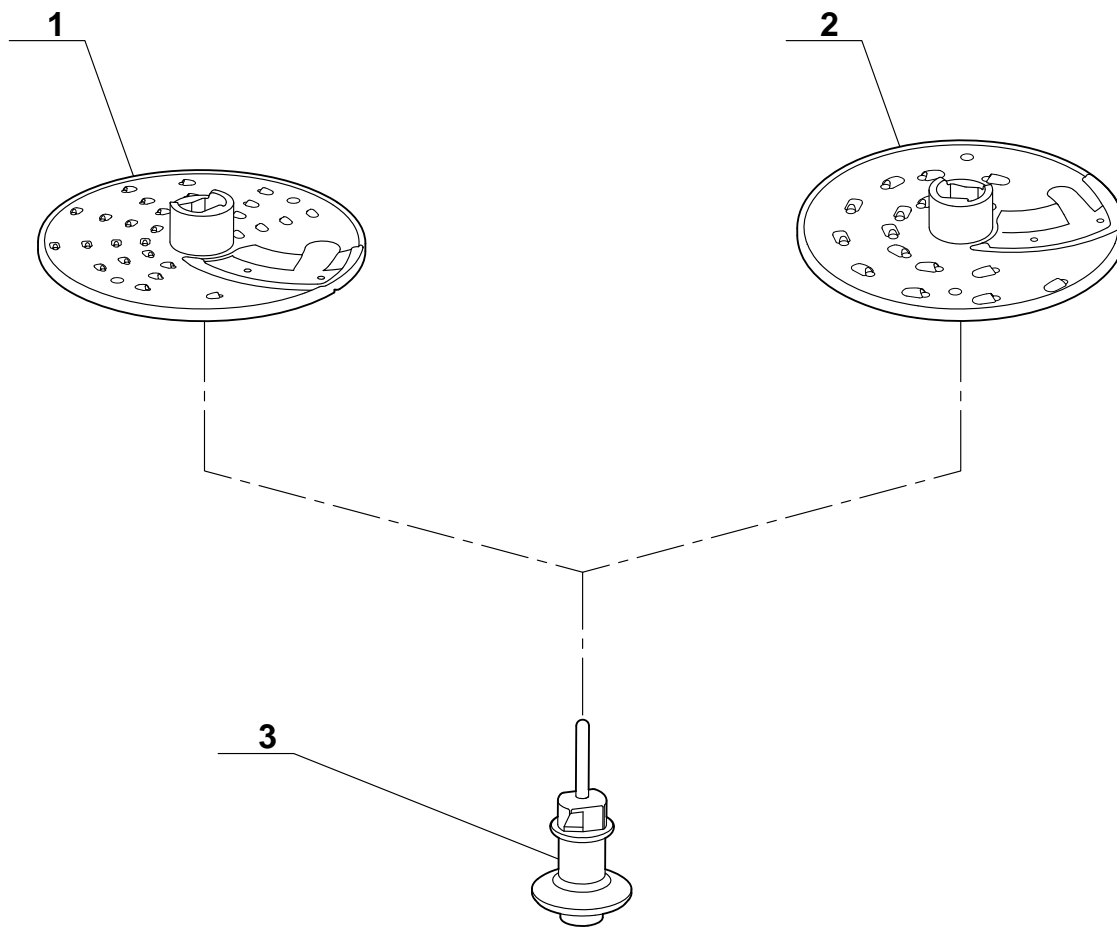
# JUICE EXPERT 5

<i>Index</i>	<i>Pièce / Part</i>	<i>Désignation</i>	<i>Description</i>
1	<b>107 468S</b>	TIGE SE SECURITE	SAFETY PIN
2	<b>106 634</b>	RESSORT	SPRING
3	<b>104 458S</b>	BEC VERSEUR	METAL SPOUT
4	<b>104 676S</b>	HABILLAGE BEC	METAL SPOUT EQUIPMENT
5	<b>101 317S</b>	FOURREAU	MOTORSHAFT SLEEVE
6	<b>106 180S</b>	SUPPORT MOTEUR COMPLET	MOTOR SUPPORT COMPLETE
7	<b>102 696S</b>	CACHE VIS x3	SCREW PROTECTOR x3
8	<b>503 646S</b>	BAGUE ETANCHEITE	MOTORSHAFT SEAL RING
9	<b>106 182S</b>	MINIRUPTEUR.	MICROSWIYCH
10	<b>101 880S</b>	KIT P-AGRUME/PULP SYSTEM	CITRUS PRESS/PULP SYSTEM
11	<b>100 259S</b>	BRAS	ANTI SPLASH
12	<b>100 262S</b>	ATTACHE BRAS	ANTI SPLASH CLIP
13	<b>100 258S</b>	GRAND CONE	LARGE CONE
14	<b>100 663S</b>	PETIT CONE	SMALL CONE
15	<b>100 273S</b>	PANIER ANTHRACITE	CHARCOAL BASKET
16	<b>17 292</b>	FILTRE PULP SYSTEM	FILTRE PULP SYSTEM

<i>Index</i>	<i>Désignation</i>	<i>Description</i>
<b>A</b>	CUVE	BOWL ASSEMBLY
<b>B</b>	BOUCHON DE TIGE	SAFETY PIN LID

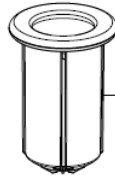
<b>Machine</b>	<b>Voltage</b>	<b>A</b>	<b>B</b>
<b>FRANCE</b>			
<b>18 093 F : Noir</b>	<b>230/50</b>	<b>17 525</b>	<b>104 604</b>

# JUICE EXPERT 5

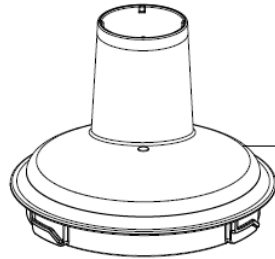


<i>Index</i>	<i>Pièce / Part</i>	<i>Désignation</i>	<i>Description</i>
1	<b>17 363</b>	EMINCEUR - RAPEUR 2 mm	SLINCING - GRATING DISC 2 mm
2	<b>17 364</b>	EMINCEUR - RAPEUR 4 mm	SLINCING - GRATING DISC 4 mm
3	<b>100 186S</b>	PROLONGATEUR DE DISQUE	DETACHABLE DISC SUPPORT

# SPIRAL EXPERT



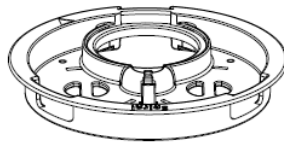
1



2



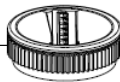
4



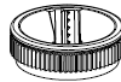
3



5



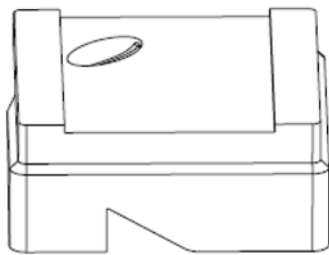
6



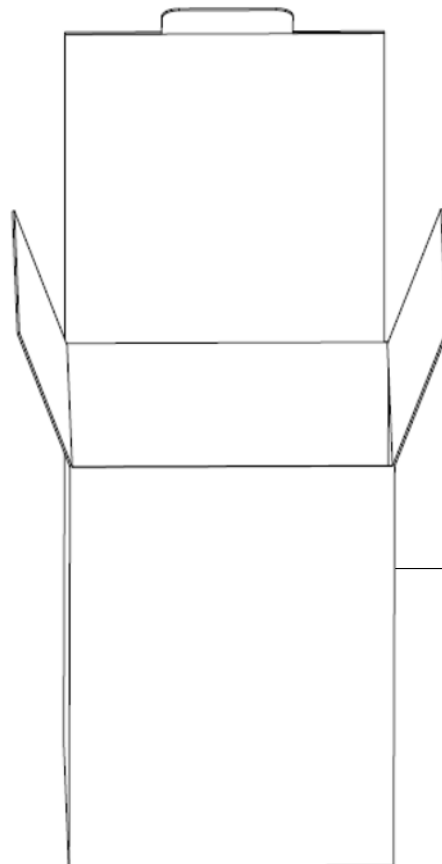
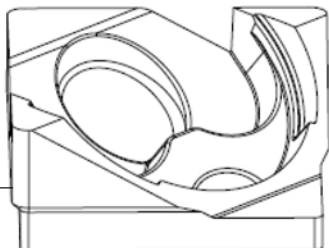
7



8



9



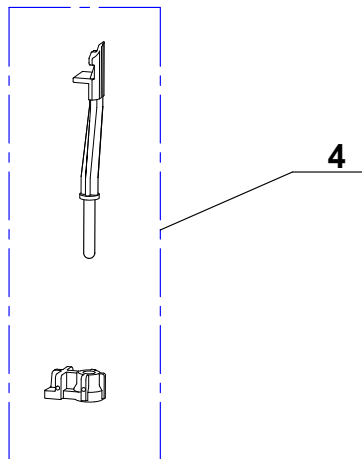
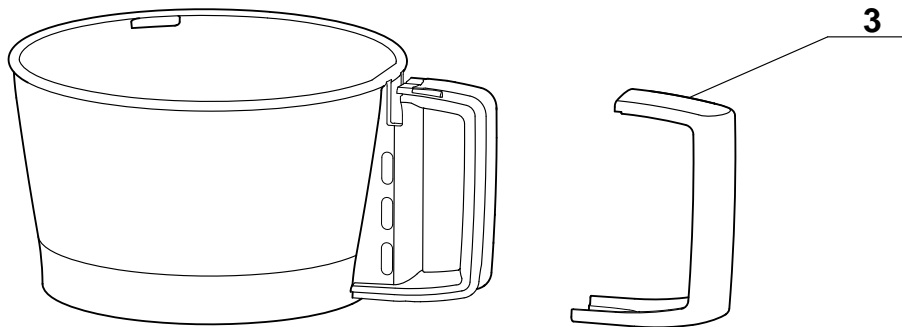
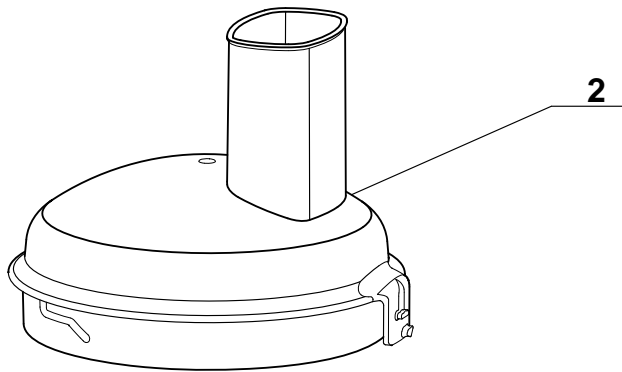
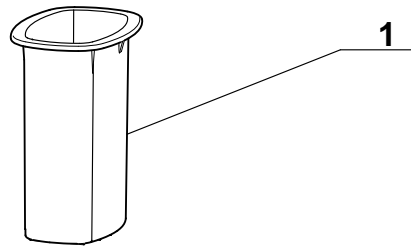
10

# SPIRAL EXPERT

<i>Index</i>	<i>Pièce / Part</i>	<i>Désignation</i>	<i>Description</i>
1	<b>506 464</b>	POUSSOIR	PUSHER
2	<b>506 592</b>	COUVERCLE	LID
3	<b>506 593</b>	SUPPORT	SUPPORT
4	<b>506 589</b>	AXE D'ENTRAINEMENT	DRIVE PIN DISC SUPPORT
5	<b>506 598</b>	CÔNE FUSILI	FUSILI CONE
6	<b>506 599</b>	CÔNE SPAGHETTI	SPAGHETTI CONE
7	<b>506 600</b>	CÔNE TAGLIATELLE	TAGLIATELLE CONE
8	<b>506 905</b>	MODE D'EMPLOI	MANUAL USER
9	<b>506 587</b>	STYRENE	POLYFOAM
10	<b>506 906</b>	QUADRI	GIFTBOX



# JUICE EXPERT 5



5

# JUICE EXPERT 5

<i>Index</i>	<i>Pièce / Part</i>	<i>Désignation</i>	<i>Description</i>
1	<b>17 221</b>	POUSSOIR	PUSHER
2	<b>17 048</b>	COUVERCLE	LID
3	<b>103 079S</b>	POIGNÉE	HANDLE
4	<b>103 078S</b>	TIGE SECURITÉ	SAFETY PIN
5	<b>17 539</b>	CUVE	BOWL