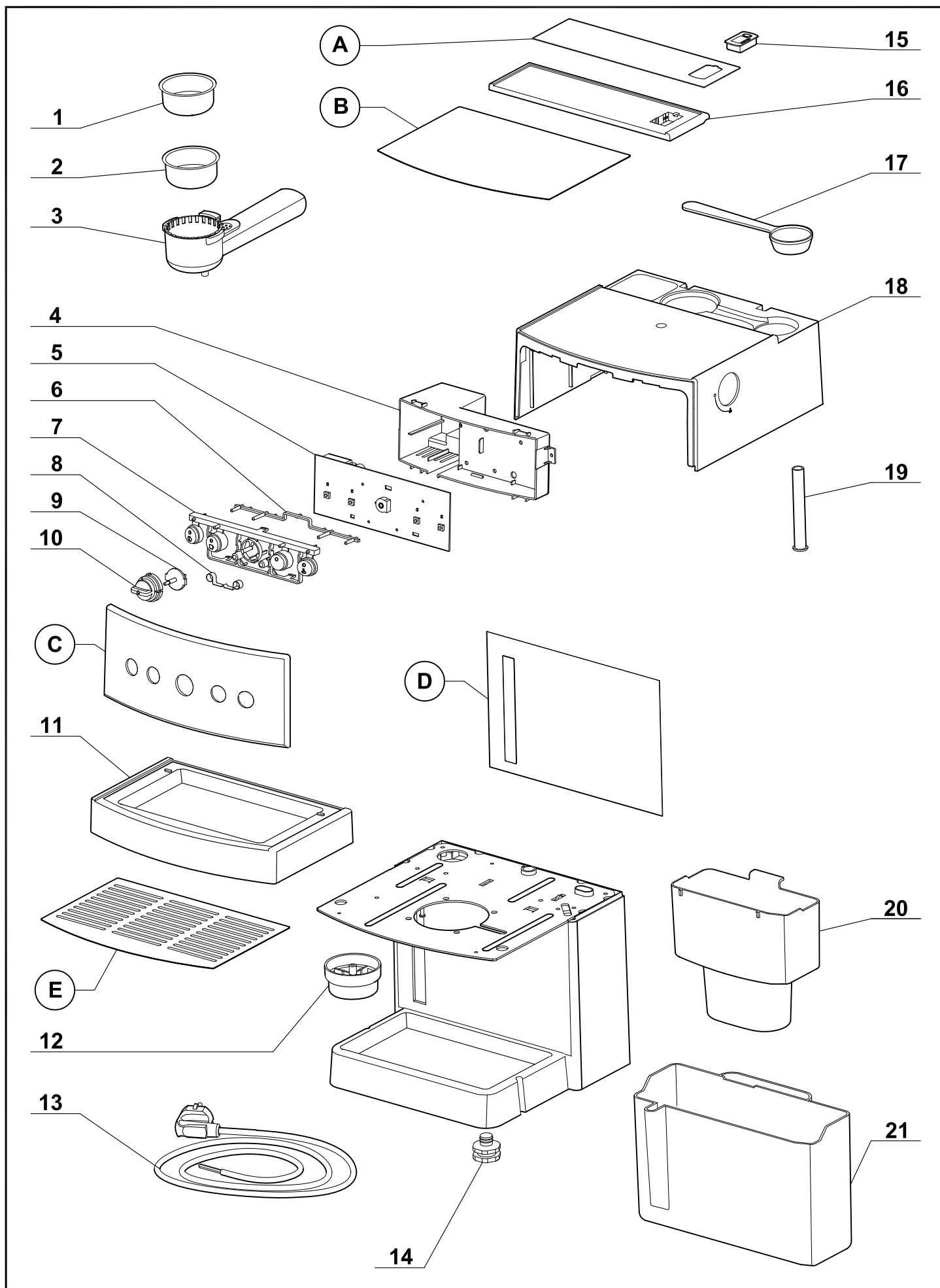


# L'EXPRESSO AUTOMATIQUE

11402/11403/11404



# L'EXPRESSO AUTOMATIQUE

11402/11403/11404

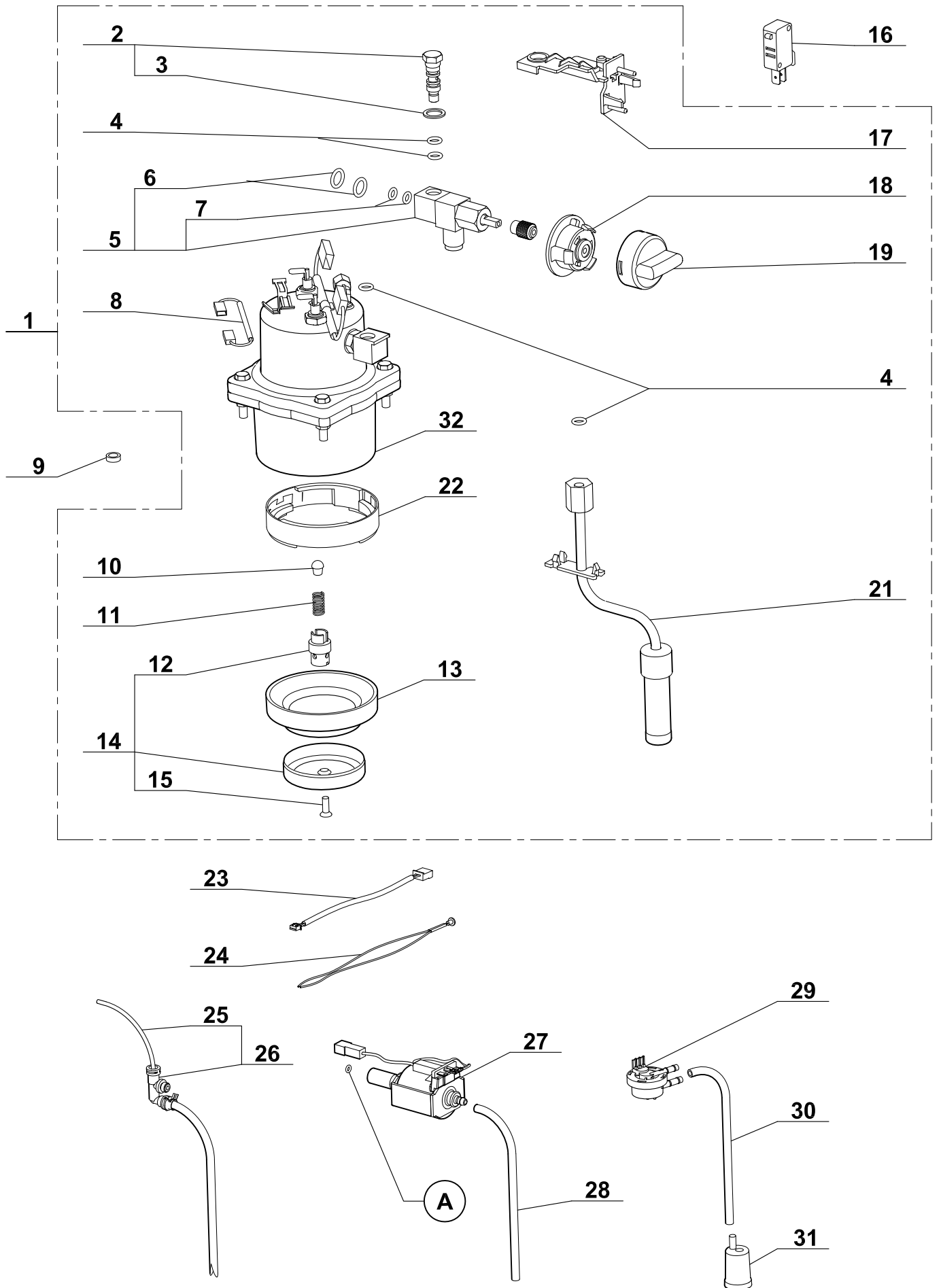
<i>Index</i>	<i>Pièce / Part</i>	<i>Désignation</i>	<i>Description</i>
1	504 814	FILTRE 1 TASSE	FILTER 1 CUP
2	504 815	FILTRE 2 TASSES	FILTER 2 CUPS
3	502 241	PORTE FILTRE	SUPPORT FILTER
4	503 763	SUPPORT PLATINE	SUPPORT
5	505 464	PLATINE	ELECTRONIC PART
6	503 786	DIFFUSEUR	DIFFUSER
7	504 847	BOUTONS	KNOBS
8	504 846	RESSORT POTENTIOMÈTRE	POTENTIOMETER SPRING
9	503 785	DIFFUSEUR CENTRAL	CENTRAL DIFFUSER
10	504 848	BOUTON CENTRAL	CENTRAL KNOB
11	504 808	BAC COLLECTEUR	COLLECTING TRAY
12	502 258	TASSEUR	TAMPER
13	504 661	CORDON D'ALIMENTATION	POWER CORDE
14	101 939	PIED	FOOT
15	504 324	MEMO BRITA	BRITA MEMORY
16	504 841	COUVERCLE	LID
17	502 243	CUILLÈRE	SPOON
18	504 806	CAPOT	TOP CASE
19	502 257	ENTRETOISE	BRACE
20	504 807	RÉSERVOIR BRITA	BRITA WATER TANK
21	504 321	RÉSERVOIR	WATER TANK

<i>Index</i>	<i>Désignation</i>	<i>Description</i>
<b>A</b>	PLAQUE COUVERCLE	LID PLATE
<b>B</b>	PLAQUE SUPÉRIEUR	TOP PLATE
<b>C</b>	FAÇADE	FRONT PANEL
<b>D</b>	PLAQUE DE FOND	FRONT PLATE
<b>E</b>	GRILLE	GRID

<b>Machine</b>	<b>A</b>	<b>B</b>	<b>C</b>	<b>D</b>	<b>E</b>
<b>11 402</b>	<b>504 852</b>	<b>503 787</b>	<b>504 853</b>	<b>-</b>	<b>504 820</b>
<b>11 403</b>	<b>504 851</b>	<b>503 788</b>	<b>504 854</b>	<b>504 856</b>	<b>504 821</b>
<b>11 404</b>	<b>504 852</b>	<b>503 787</b>	<b>504 855</b>	<b>504 857</b>	<b>504 820</b>

# L'EXPRESSO AUTOMATIQUE

11402/11403/11404



# L'EXPRESSO AUTOMATIQUE

**11402/11403/11404**

<i>Index</i>	<i>Pièce / Part</i>	<i>Désignation</i>	<i>Description</i>
1	<b>504 858</b>	CHAUDIÈRE	HEATER
2	<b>503 766</b>	VIS TUBE	SCREW TUBE
3	<b>503 767</b>	JOINT 14/9	SEAL 14/9
4	<b>503 768</b>	JOINT TORIQUE 5,7/1,9	O-RING 5,7/1,9
5	<b>503 772</b>	ROBINET VAPEUR	TAP STEAM
6	<b>503 771</b>	JOINT TORIQUE 5,28/1,78	O-RING 5,28/1,78
7	<b>503 770</b>	JOINT TORIQUE 9/2	O-RING 9/2
8	<b>503 765</b>	THERMO FUSIBLE	THERMO FUSE
9	<b>503 779</b>	RONDELLE PLASTIQUE	PLASTIC WASHER
10	<b>502 226</b>	SOUPAPE	VAVLE
11	<b>502 225</b>	RESSORT SOUPAPE	VALVE SPRING
12	<b>502 224</b>	SUPPORT SOUPAPE	VALVE SUPPORT
13	<b>502 227</b>	JOINT PORTE FILTRE	FILTER SUPPORT SEAL
14	<b>9 115</b>	PASSOIRE + SUPPORT SOUPAPE + VIS	STRAINER + VALVE SUPPORT + SCREW
15	<b>502 223</b>	VIS	SCREW
16	<b>503 776</b>	MICRO SWITCH	MICRO SWITCH
17	<b>503 769</b>	SUPPORT SWITCH	SWITCH SUPPORT
18	<b>503 773</b>	CAME ROBINET	TAP CAM
19	<b>503 762</b>	BOUTON VAPEUR	STEAM KNOB
21	<b>504 832</b>	BUSE	STEAM TUBE
22	<b>505 028</b>	RAMPE	SADDLE
23	<b>504 849</b>	CÂBLE DEBITMETRE	FLOW METER WIRE
24	<b>504 850</b>	SONDE	TEMPERATURE SENSOR
25	<b>504 824</b>	TUYAU POMPE / CHAUDIÈRE	PUMP / HEATER TUBE
26	<b>504 826</b>	ANTI GOUTTE	ANTI DROP
27	<b>504 828</b>	POMPE	PUMP
28	<b>504 844</b>	TUYAU POMPE DEBITMETRE	PUMP / FLOWMETER
29	<b>504 842</b>	DEBITMETRE	FLOWMETER
30	<b>504 844</b>	TUYAU DEBITMETRE	FLOWMETER PIPE
31	<b>502 213</b>	FILTRE	FILTER
32	<b>502 221</b>	SUPPORT PORTE-FILTRE	FILTER-HOLDER SUPPORT
	<b>505 459</b>	FILTRE 2 TASSES	FILTER 2 CUPS
	<b>505 458</b>	FILTRE 1 TASSE	FILTER 1 CUP
	<b>400 028</b>	PORTE FILTRE + 2 FILTRES	FILTER SUPPORT + 2 FILTERS

<i>Index</i>	<i>Désignation</i>	<i>Description</i>
<b>A</b>	JOINT DE POMPE	O-RING OF PUMP
Modèle de pompe / model of pump		<b>A</b>
Pompe <b>INVENSYS</b>		<b>504 829</b>
Pompe <b>ULKA</b>		<b>504 830</b>